

U Series

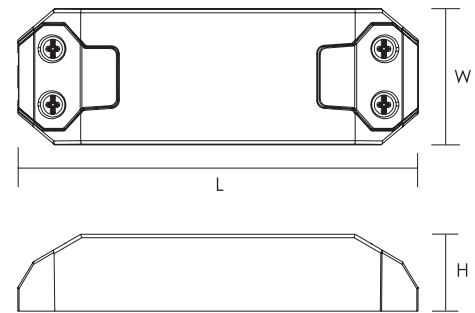
TRIAC Dimming LED Driver

可控硅调光LED驱动器

Features:

- Dimmable with leading edge or trailing edge dimmer
- Constant current driver
- Independent compact design
- Captured terminal screws
- Protections: opencircuit, shortcircuit, overload, overtemperature
- SELV output
- Protection class II
- Smooth dimming compatible with most dimmer
- Dimming range 1...100%

- 适用普通可控硅前切相或后切相调光器
- 恒流驱动
- 超小体积，独立式紧凑型设计
- 螺丝锁紧大接线端子，方便多规格线接驳
- 输出开路，短路，过载和超温保护
- 符合安全特低电压标准
- 保护等级 II
- 平滑高性能调光，匹配更多的调光器
- 调光范围 1...100%光通量



Parameters:

Model No. 型号	Input voltage 额定电压 (V)	Max. output 功率 (W)	Output current 输出电流 (mA)	Output voltage 输出电压 (V)	Power factor 功率因数 (λ)	Efficiency full load 效率 (%)	Ambient temperature 环境温度 ta (°C)	Max. casing temperature 最大外壳温度 tc (°C)	Isolation 隔离	Dimensions LxWxH 尺寸 (mm)	Weight 重量 (g)
D35020U	220-240	20	350	28-56	0.95	-20...+45	83	90	SELV	127x44x28	120
D50022U	220-240	22	500	20-44	0.95	-20...+45	82	90	SELV	127x44x28	120
D60022U	220-240	22	600	18-36	0.95	-20...+45	82	90	SELV	127x44x28	120
D70022U	220-240	22	700	14-32	0.95	-20...+45	80	90	SELV	127x44x28	120
D105022U	220-240	22	1050	9-20	0.95	-20...+45	78	90	SELV	127x44x28	120