

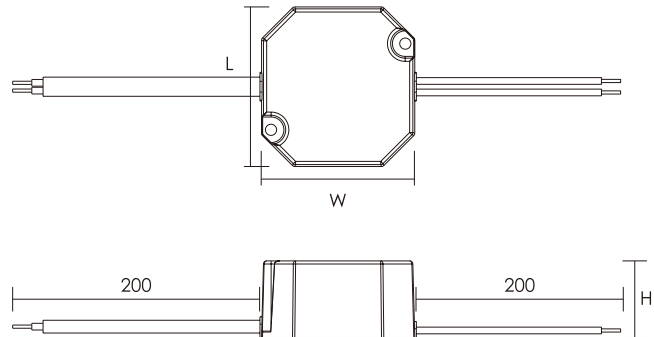
MINID Series

TRIAC Dimming LED Driver

可控硅调光LED驱动器

Features:

- Super compact design
 - Dimmable constant voltage driver
 - Analogue flicker-free
 - Dimming with leading edge or trailing edge dimmer
 - Smooth dimming compatible with most dimmer
 - Dimming range 1...100%
 - Primary and secondary sides come with leads
 - Protections: opencircuit, shortcircuit, overload, over temperature
 - SELV equivalent
 - Protection class II
-
- 紧凑型设计
 - 可调光恒压驱动
 - 无频闪
 - 适用可控硅前切相或后切相调光器
 - 平滑高性能调光，匹配更多的调光器
 - 调光范围1...100%光通量
 - 输入和输出引线型
 - 输出开路、短路，过载和过温保护
 - 符合安全特低电压标准
 - 保护等级 II



Parameters:

Model No. 型号	Input voltage 额定电压 (V)	Max. output 功率 (W)	Output current 输出电流 (A)	Output voltage 输出电压 (V)	Power factor 功率因数 (λ)	Efficiency full load 效率 (%)	Ambient temperature 环境温度 ta (°C)	Max. casing temperature 最大外壳温度 tc (°C)	Isolation 隔离	Dimensions LxWxH 尺寸 (mm)	Weight 重量 (g)
*MINID12-12	220-240	12	0.2-1.0	12	0.95	81	-20...+50	80	SELV	50x48x24	90
*MINID24-12	220-240	12	0.1-0.5	24	0.95	82	-20...+50	80	SELV	50x48x24	90